

BeoSound 2

Quick guide

Kort vejledning

Snabbguide

Kurzanleitung

Snelgids

Guide rapide

Guía rápida

Guida rapida

Guia de consulta rápida

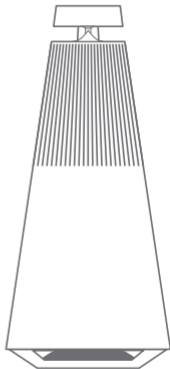
Краткое руководство

クイックガイド

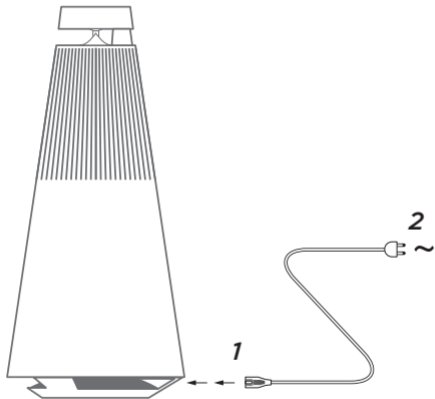
간편 안내서

快速指南

快速操作指南



BANG & OLUFSEN





For user guide, see:

Se betjeningsvejledning på:

Användarhandledning finns här:

Die Bedienungsanleitung finden Sie unter:

Voor de gebruikershandleiding, zie:

Pour accéder au manuel de l'utilisateur,
consultez le site:

Si desea descargar la guía de usuario, visite:

Per la guida utente, vedere:

Para aceder ao manual do utilizador, visite:

Руководство пользователя можно найти по
ссылке:

ユーザーガイドは次のリンク先をご覧ください。:

사용 설명서는 에서 찾아볼 수 있습니다 :

如要查看用户指南, 请访问:

如需使用指南, 請參閱:

www.bang-olufsen.com/setupBS2

English

Automatic system software update

In order to ensure that your products have the latest features and improvements, automatic system software updates are enabled by default, and this is the recommended setting.

You may change this at any time in the UPDATE PRODUCT SOFTWARE menu using the BeoSetup App.

Log information

To help us improve our range of available products and services offered to you, we may request certain information from your product about its performance and usage patterns. The information will at all times be provided on an anonymous basis only. You can at any time easily disable this function in the STATUS menu using the BeoSetup App.

Dansk

Automatisk softwareopdatering

Da vi gerne vil sikre, at du har de seneste funktioner og forbedringer, er automatisk softwareopdatering slået til som standard, og dette er den anbefalede indstilling. Du kan til enhver tid ændre dette i menuen OPDATER PRODUKTSOFTWARE ved hjælp af BeoSetup App.

Logoplysninger

For at forbedre vores udbud af produkter og tjenester kan du blive bedt om bestemte oplysninger vedr. dit produkts ydeevne og din brug af produktet. Disse oplysninger videregives altid kun anonymt. Det er til enhver tid muligt at deaktivere denne funktion i menuen STATUS i BeoSetup App.

Svenska

Automatisk systemprogramuppdatering

För att säkerställa att dina produkter alltid har de senaste funktionerna och förbättringarna är automatiska

systemprogramuppdateringar aktiverade som standard och den inställning som rekommenderas. Du kan när som helst ändra inställningen på menyn UPPDATERA PRODUKTENS PROGRAMVARA med hjälp av BeoSetup App.

Logga information

Vi kan begära viss information från din produkt om dess prestanda och användningsmönster för att hjälpa oss att förbättra vårt sortiment av tillgängliga produkter och tjänster som erbjuds. Informationen ska alltid lämnas anonymt. Du kan när som helst enkelt avaktivera denna funktion i menyn STATUS med hjälp av BeoSetup App.

Deutsch

Automatische Systemsoftware-Aktualisierung

Um sicherzustellen, dass Ihre Geräte über die neuesten Funktionen und Verbesserungen verfügen, sind die automatischen Aktualisierungen der Systemsoftware standardmäßig aktiviert. Diese Einstellung wird empfohlen. Sie können diese Einstellung jederzeit über die

BeoSetup-App im Menü PRODUKTSOFTWARE
AKTUALISIEREN ändern.

Log-Information

Um die von uns angebotenen Produkte und Services zu verbessern, werden wir ggf. Informationen zur Leistung Ihres Geräts und des Nutzungsverhaltens abrufen. Die Bereitstellung der entsprechenden Informationen erfolgt vollständig anonym. Sie haben jederzeit die Möglichkeit, diese Funktion über die BeoSetup-App im STATUS-Menü zu deaktivieren.

Nederlands

Automatische software-update

Om ervoor te zorgen dat uw producten van de laatste kenmerken en verbeteringen genieten, zijn automatische systeemsoftware-updates standaard ingeschakeld en dit is de aanbevolen instelling. U kunt dit op elk gewenst moment wijzigen in het menu PRODUKTSOFTWARE UPDATEN met behulp van de BeoSetup App.

Loginformatie

Om ons te helpen ons assortiment beschikbare producten en diensten te verbeteren, kan het zijn dat we bepaalde informatie over de prestaties en de gebruikspatronen van uw product vragen. De informatie zal altijd uitsluitend anoniem worden gegeven, U kan deze functie te allen tijde uitschakelen in het menu STATUS via de BeoSetup App.

Français

Mise à jour automatique du logiciel système

Afin de garantir que vos produits disposent des dernières fonctionnalités et améliorations, les mises à jour automatiques du logiciel système sont activées par défaut. Il s'agit d'un paramètre recommandé. Vous pouvez modifier ce paramètre à tout moment dans le menu METTRE À JOUR LE LOGICIEL DU PRODUIT à l'aide de l'app BeoSetup.

Informations du journal

Pour nous aider à améliorer notre gamme de produits et services mis à votre disposition, nous sommes susceptibles

de vous demander certaines informations sur les performances et l'utilisation de votre produit. Les informations seront fournies à tout moment de manière anonyme uniquement. Vous pouvez à tout moment désactiver facilement cette fonction dans le menu ÉTAT à l'aide de l'app BeoSetup.

Español

Actualización automática del software del sistema

Para garantizar que sus equipos cuenten siempre con las funciones y mejoras más recientes, las actualizaciones automáticas del software del sistema se encuentran habilitadas de forma predeterminada (esta es la configuración recomendada). Puede deshabilitarlas en cualquier momento a través del menú ACTUALIZACIÓN DE SOFTWARE DEL EQUIPO, empleando la aplicación BeoSetup.

Información de registro

Con el fin de mejorar la gama de productos y servicios que ponemos a su disposición, puede que solicitemos al equipo

cierta información acerca de su rendimiento y sus patrones de uso. Tal información será recopilada en todo momento con carácter anónimo. Puede deshabilitar esta función cuando lo desee en el menú ESTADO, empleando la aplicación BeoSetup.

Italiano

Aggiornamento software di sistema automatico

Per assicurare che i prodotti siano dotati delle ultime funzioni

e miglioramenti, gli aggiornamenti software automatici sono abilitati per impostazione predefinita e questa è l'impostazione consigliata. È possibile modificare questa impostazione in qualsiasi momento nel menu AGGIORNA SOFTWARE PRODOTTO utilizzando l'app BeoSetup.

Informazioni registrate

Per aiutarci a migliorare la nostra gamma di prodotti e servizi offerti, potremmo richiedere determinate informazioni sul prodotto, le sue prestazioni e l'utilizzo. Le informazioni saranno sempre fornite su base anonima. È possibile

disattivare questa funzione in qualsiasi momento nel menu STATO utilizzando l'app BeoSetup.

Português

Actualização automática do software do sistema

Para assegurar que os seus produtos possuem as mais recentes funcionalidades e melhorias, as actualizações automáticas de software do sistema estão activadas por defeito e esta é a definição recomendada. Poderá alterar isto em qualquer momento no menu ACTUALIZAÇÃO DE SOFTWARE DO PRODUTO da aplicação BeoSetup.

Informações de registo

Para nos ajudar a melhorar a gama de produtos e serviços que colocamos à sua disposição, poderemos pedir ao seu produto determinadas informações relativas ao respectivo desempenho e padrões de utilização. Estas informações serão sempre fornecidas em modo anónimo. Poderá desactivar esta função em qualquer momento através do menu ESTADO da aplicação BeoSetup.

Русский

Автоматическое обновление системного ПО

Чтобы обеспечить ваши устройства самыми новыми функциями и улучшениями, автоматическое обновление системного

ПО включено по умолчанию и является рекомендованной настройкой. Вы можете изменить эту настройку в любое время в меню ОБНОВЛЕНИЕ ПРОГРАММНОГО ОБЕСПЕЧЕНИЯ с помощью приложения BeoSetup.

Запись информации

Чтобы помочь нам в улучшении нашей линейки доступных устройств и услуг, предлагаемых вам, мы можем запрашивать из вашего устройства некоторые сведения о его работе и паттернах использования. При этом вся информация всегда будет передаваться только на анонимной основе. Вы можете в любое время легко выключить эту функцию в меню СТАТУС с помощью приложения BeoSetup.

日本語

システムソフトウェアの自動更新

最新の機能と改善点がご使用中の製品に確実に反映されるように、推奨設定であるシステムソフトウェアの自動更新機能がデフォルトで有効になっています。この設定は、BeoSetup Appを通じて、[製品ソフトウェア更新] メニューからいつでも変更できます。

ログ情報

当社は提供する製品とサービスをの質を改善するために、その性能と使用形態に関する特定の情報を当社製品から収集することがあります。こうした情報は常に匿名ベースでのみ収集されます。この機能は、BeoSetup Appを通じて、ステータスメニューから簡単に無効にできます。

한국어

자동 시스템 소프트웨어 업데이트

제품에 최신 기능을 설치하고 최적 상태로 유지하기 위해, 자동 시스템 소프트웨어 업데이트는 기본적으로 사용함으로 설정되며, 이는 권장 사항입니다. BeoSetup App을 사용하여

제품 소프트웨어 업데이트 메뉴에서 언제든지 설정을 바꿀 수 있습니다.

로그인 정보

B&O는 제공해 드린 제품이나 서비스의 품질과 종류를 개선하기 위하여 고객 여러분께 제품의 성능과 사용 패턴에 관한 특정 정보를 요청할 수 있습니다. 제공해주신 정보는 언제나 익명으로 처리됩니다. 이 기능은 BeoSetup App의 상태 메뉴에서 언제든지 취소할 수 있습니다.

简体中文

系统软件自动更新

为确保您的产品获得最新的功能和更新，默认会启用系统软件自动更新功能，建议保留此设置。您可以随时使用BeoSetup App在“更新产品软件”菜单中更改此设置。

记录信息

为帮助我们改进产品和服务，我们可能会请求从您的产品获取有关其性能和使用情况的信息。这些信息将始终以匿名方式传输。您可以随时使用BeoSetup App在“状态”菜单中禁用此功能。

繁體中文

系統軟體自動更新

為確保您的產品享有最新功能和改良功能，系統軟體自動更新預設為啟用，且為建議設定。您可在 [更新產品軟體] 選單中使用 BeoSetup App，隨時變更此設定。

登入資訊

如要協助我們改善給您的產品與服務，請您提供有關產品性能和使用型態等特定資訊。您的資訊僅會匿名提供。您可隨時在 [狀態] 選單中使用 BeoSetup App，輕鬆停用此功能。

BeoSound 2

Important

Vigtigt

Viktigt

Wichtiger Hinweis

Belangrijk

Important

Importante

Importante

Importante

Внимание!

重要

중요

注意

重要事項

For additional information, see (link provides content with regulatory conformance guidelines):

Se yderligere oplysninger på:

Mer information finns på:

Lisätietoja saat seuraavista osoitteista:

Für weitere Informationen, siehe:

Pour plus d'informations, visitez (lien fournit du contenu aux directives de conformité réglementaires):

Si desea obtener más información, visite el sitio web:

Per ulteriori informazioni, vedere:

Voor meer informatie, zie:

Para obter mais informações, consulte:

Για περισσότερες πληροφορίες, δείτε:

Дополнительную информацию см. по адресу:

詳細資訊，請參閱：

詳細については、次をご覧ください：

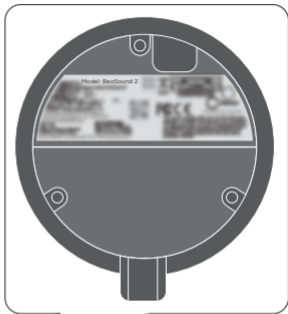
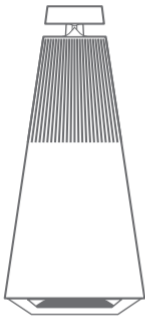
자세한 내용은 다음을 참조하십시오.

如需了解更多详情，请参见：

www.bang-olufsen.com/guides/important_information

Bang & Olufsen a/s
Peter Bangs Vej 15, DK-7600 Struer
Denmark

- English
- Dansk - (*Danish*)
- Deutsch - (*German*)
- Français - (*French*)
- Español - (*Spanish*)
- Italiano - (*Italian*)
- 日本語 - (*Japanese*)
- 简体中文 - (*Simplified Chinese*)
- 繁體中文 - (*Traditional Chinese*)



Model: BeoSound 2

Important safety instructions

- 1) Read these instructions.
- 2) Keep these instructions.
- 3) Heed all warnings.
- 4) Follow all instructions.
- 5) Do not use this apparatus near water.
- 6) Clean only with dry cloth.
- 7) Do not block any ventilation openings. Install in accordance with the manufacturer's instructions.
- 8) Do not install near any heat sources such as radiators, heat registers, stoves, or other apparatus (including amplifiers) that produce heat.
- 9) Do not defeat the safety purpose of the polarized or grounding-type plug. A polarized plug has two blades with one wider than the other. A grounding type plug has two blades and a third grounding prong. The wide blade or the third prong are provided for your safety. If the provided plug does not fit into your outlet, consult an electrician for replacement of the obsolete outlet.
- 10) Protect the power cord from being walked on or pinched particularly at plugs, convenience receptacles, and the point where they exit from the apparatus.

11) Only use attachments/accessories specified by the manufacturer.

12) Use only with the cart, stand, tripod, bracket, or table specified by the manufacturer, or sold with the apparatus. When a cart is used, use caution when moving the cart/apparatus combination to avoid injury from tip-over.



13) Unplug this apparatus during lightning storms or when unused for long periods of time.

14) Refer all servicing to qualified service personnel. Servicing is required when the apparatus has been damaged in any way, such as power-supply cord or plug is damaged, liquid has been spilled or objects have fallen into the apparatus, the apparatus has been exposed to rain or moisture, does not operate normally, or has been dropped.

WARNING: To reduce the risk of fire or electric shock, do not expose this appliance to rain or moisture. Do not expose this equipment to dripping or splashing and ensure that no objects filled with liquids, such as vases, are placed on the equipment.

WARNING: The mains plug/appliance coupler is used as disconnect device, the disconnect device shall remain readily operable.

- This lightning flash with arrowhead symbol within an equilateral triangle is intended to alert the user to the presence of non-insulated “dangerous voltage” within the product’s enclosure that may be of sufficient magnitude to constitute a risk of electric shock.



- Warning: To reduce the risk of electric shock, do not remove cover (or back) as there are no user-serviceable parts inside. Refer servicing to qualified personnel.

- The exclamation point within an equilateral triangle is intended to alert the user to the presence of important operating and maintenance instructions in the literature accompanying the appliance.

No naked flame sources, such as lighted candles should be placed on the product.


Follow instructions to ensure correct and safe installation and interconnection of equipment in multimedia systems.



Electrical and electronic equipment, parts and batteries marked with this symbol must not be disposed of with normal household wastage, it must be collected and disposed of separately to protect the environment.

Your Bang & Olufsen retailer will advise you of the correct way of disposal in your country.

For indoor use only.

 Hereby, Bang & Olufsen declares that this product is in compliance with the essential requirements and other relevant provisions of Directive 1999/5/EC. The declaration of conformity may be consulted at www.bang-olufsen.com/guides.

Important!

- Avoid placing the product in direct sunlight or direct artificial light, such as a spotlight.
- Make sure that the product is set up, placed and connected in accordance with the instructions.
- Place your product on a firm surface or stand where you want it placed permanently. Use Bang & Olufsen approved stands and wall brackets only!
- Do not place any items on top of your product.

- Do not subject the product to high humidity, rain or sources of heat.
- The product is intended for indoor use in dry, domestic environments only. Use within a temperature range of 10–40°C (50–105°F).
- Leave enough space around the product for adequate ventilation.
- Do not connect any of the products in your system to the mains, until you have connected all the cables.
- Do not attempt to open the product. Leave such operations to qualified service personnel.
- The supplied plug and mains cord are specially designed for the product. Do not change the plug and if the mains cord is damaged, you must buy a new one from your Bang & Olufsen retailer.

Using a very noisy AC supply may trigger false touch operation in very rare situations.

WARNING: To reduce the risk of fire or electric shock, do not expose this appliance to rain or moisture. Do not expose this equipment to dripping or splashing and

ensure that no objects filled with liquids, such as vases, are placed on the equipment.

FCC STATEMENT

1. This device complies with Part 15 of the FCC Rules.

Operation is subject to the following two conditions:

(1) This device may not cause harmful interference.

(2) This device must accept any interference received, including interference that may cause undesired operation.

2. Changes or modifications not expressly approved by the party responsible for compliance could void the user's authority to operate the equipment.

NOTE: This equipment has been tested and found to comply with the limits for a Class B digital device, pursuant to Part 15 of the FCC Rules. These limits are designed to provide reasonable protection against harmful interference in a residential installation.

This equipment generates uses and can radiate radio frequency energy and, if not installed and used in accordance with the instructions, may cause harmful

interference to radio communications. However, there is no guarantee that interference will not occur in a particular installation. If this equipment does cause harmful interference to radio or television reception, which can be determined by turning the equipment off and on, the user is encouraged to try to correct the interference by one or more of the following measures:

Reorient or relocate the receiving antenna.

Increase the separation between the equipment and receiver.

Connect the equipment into an outlet on a circuit different from that to which the receiver is connected.

Consult the dealer or an experienced radio/TV technician for help.

FCC RADIATION EXPOSURE STATEMENT

This device complies with FCC radiation exposure limits set forth for an uncontrolled environment. This device should be installed and operated with minimum distance 20cm between the radiator & your body.

5,150– 5,350 MHz is restricted to indoor use only.

CAN ICES-3 (B)/NMB-3(B)

IC warning

- English:

This device complies with Industry Canada's licence-exempt RSSs.

Operation is subject to the following two conditions:

- (1) This device may not cause interference; and
- (2) This device must accept any interference, including interference that may cause undesired operation of the device.

この製品は屋内においてのみ使用可能です

Dansk



Elektrisk og elektronisk udstyr, reservedele og batterier, der er mærket med dette symbol, må ikke bortskaffes sammen med almindeligt husholdningsaffald. Det skal indsamles og bortskaffes separat for at beskytte miljøet.

Din Bang & Olufsen forhandler kan rådgive dig om den korrekte bortskaffelsesmetode i dit land.

Kun beregnet til indendørsbrug.

CE Bang & Olufsen erklærer hermed, at dette produkt overholder de essentielle krav og relevante bestemmelser i direktivet 1999/5/EF. Se også overensstemmelseserklæringen på www.bang-olufsen.dk/brugervejledninger.

Vigtigt!

– Anbring ikke produktet i direkte sollys eller direkte under kunstig belysning, f.eks. en spot.

- Sørg for, at produktet sættes op, placeres og tilsluttes i overensstemmelse med instruktionerne.
- Placer produktet på en solid overflade eller stand, hvor du ønsker, det skal blive stående. Brug kun stande og vægbeslag, der er godkendt af Bang & Olufsen.
- Anbring ikke genstande oven på produktet.
- Udsæt ikke produktet for høj luftfugtighed, regn eller varme.
- Produktet er udelukkende beregnet til indendørsanvendelse under tørre forhold inden for et temperaturområde på 10-40 °C.
- Sørg for, at der er plads nok omkring produktet til at sikre tilstrækkelig ventilation.
- Slut ikke nogen af produkterne i dit system til lysnettet, før du har tilsluttet alle kablerne.
- Forsøg aldrig at åbne produktet. Produktet må kun åbnes af uddannede serviceteknikere.
- Den medfølgende netledning og stikket på den er specielt designet til dette produkt. Stikket må ikke ændres,

og hvis netledningen bliver beskadiget, skal du købe en ny hos din Bang & Olufsen forhandler.

ADVARSEL: For at reducere risikoen for brand og elektrisk stød må dette produkt ikke udsættes for regn eller fugt.

Produktet må heller ikke udsættes for dryp eller stænk, og der må ikke placeres genstande fyldt med væske, f.eks. vaser, på udstyret.



Mit diesem Symbol gekennzeichnete elektrische und elektronische Geräte, Bauteile und Batterien dürfen nicht in den normalen Haushaltsmüll gegeben, sondern müssen zum Schutz der Umwelt sämtlich getrennt eingesammelt und entsorgt werden.

Ihr Bang & Olufsen Fachhändler berät Sie bei der sachgerechten Entsorgung in Ihrem Land.

CE Nicht für den Gebrauch im Freien.
Hiermit erklärt Bang & Olufsen, dass dieses Produkt den wesentlichen Anforderungen und sonstigen relevanten Bestimmungen der Richtlinie 1999/5/EC entspricht. Die Konformitätserklärung finden Sie unter www.bang-olufsen.com/guides.

Wichtiger Hinweis:

– Stellen Sie das Gerät nicht in direktem Sonnenlicht oder nahe an direkten künstlichen Lichtquellen wie Spots auf.

- Achten Sie darauf, dass das Gerät entsprechend diesen Hinweisen platziert, angeschlossen und eingestellt wird.
- Stellen Sie das Gerät auf einer festen Oberfläche oder einem soliden Standfuß an dem Ort auf, wo es auf Dauer verbleiben soll. Benutzen Sie nur von Bang & Olufsen zugelassene Standfüße und Wandhalterungen!
- Stellen Sie keine Gegenstände auf das Gerät.
- Setzen Sie das Gerät nicht hoher Feuchtigkeit, Regen und Wärmequellen aus.
- Das Gerät ist ausschließlich für den Gebrauch in trockenen Wohnräumen vorgesehen. Die zulässige Umgebungstemperatur im Betrieb beträgt zwischen 10 und 40 °C.
- Lassen Sie um das Gerät stets genug Platz für ausreichende Lüftung.
- Schließen Sie keines der Geräte in Ihrem System an das Netz an, bevor Sie alle anderen Kabel angeschlossen haben.
- Versuchen Sie nicht, das Gerät zu öffnen. Überlassen Sie dies qualifiziertem Servicepersonal.

- Das mitgelieferte Netzkabel samt Stecker wurde speziell für dieses Produkt entwickelt. Tauschen Sie den Stecker nicht aus. Wenn das Netzkabel beschädigt wird, müssen Sie bei Ihrem Bang & Olufsen Fachhändler ein neues anfordern.

ACHTUNG: Um Feuer oder elektrische Schläge zu vermeiden, darf dieses Gerät weder Regen noch Feuchtigkeit ausgesetzt werden. Setzen Sie dieses Gerät keinem Tropf- bzw. Spritzwasser aus und stellen Sie keine mit Flüssigkeiten gefüllten Objekte wie z. B. Vasen darauf ab.



Il n'est pas permis de jeter les équipements, les pièces électriques et électroniques et les batteries portant ce symbole avec les ordures ménagères ; ces équipements doivent être collectés et mis au rebut séparément afin de préserver l'environnement.

Votre revendeur Bang & Olufsen se fera un plaisir de vous conseiller sur la procédure correcte de mise au rebut dans votre pays.

CE Uniquement destiné pour une utilisation à l'intérieur. Bang & Olufsen déclare par la présente que le présent produit, est conforme aux exigences essentielles et aux autres dispositions de la Directive 1999/5/EC. La déclaration de conformité peut être consultée à l'adresse suivante : www.bang-olufsen.com/guides.

Important !

- Eviter d'exposer directement l'appareil au soleil ou à la lumière artificielle (spots, etc.).

- Vérifier que l'appareil est installé, positionné et connecté conformément aux instructions.
- Poser l'appareil sur une surface ferme, de préférence sur une table, un buffet ou un pied, où il restera en permanence. N'utiliser que les pieds et les supports muraux agréés par Bang & Olufsen !
- Ne poser aucun objet sur l'appareil.
- Ne pas exposer l'appareil à un taux d'humidité élevé, à la pluie ou à une source de chaleur.
- Cet appareil est uniquement conçu pour être utilisé à l'intérieur, dans un lieu sec. Plage de températures acceptable : 10 à 40 °C.
- Laisser suffisamment d'espace autour de l'appareil pour une ventilation appropriée.
- Ne relier aucun élément de l'installation au secteur avant d'avoir branché tous les câbles.
- Ne pas tenter d'ouvrir le boîtier de l'appareil. Les opérations de ce type doivent être confiées à du personnel de maintenance qualifié.

- Le câble secteur et la fiche fournis sont spécialement conçus pour cet appareil. Ne pas changer la fiche. Si le câble secteur est endommagé, en acheter un autre auprès de votre revendeur Bang & Olufsen.

AVERTISSEMENT : afin de réduire le risque d'incendie ou d'électrocution, ne pas exposer cet appareil à la pluie ou à l'humidité. Ne pas exposer l'appareil à l'écoulement de liquides et aux éclaboussures et s'assurer qu'aucun objet rempli de liquide, par exemple un vase, n'est placé sur l'appareil.

Le present appareil est conforme aux CNR d'Industrie Canada applicables aux appareils radio exempts de licence.

L'exploitation est autorisée aux deux conditions suivantes :

- (1) l'appareil ne doit pas produire de brouillage, et
- (2) l'utilisateur de l'appareil doit accepter tout brouillage radioélectrique subi, même si le brouillage est susceptible d'en compromettre le fonctionnement."

Model: BeoSound 1

Product Name: Wireless Speaker



Los equipos, piezas y baterías de tipo eléctrico y electrónico marcados con este símbolo no deben eliminarse junto con los residuos domésticos habituales; en su lugar, deben ser recogidos y eliminados de forma independiente para proteger el medioambiente.

Su distribuidor de Bang & Olufsen le asesorará acerca de los pasos a seguir en su país para realizar la eliminación de forma correcta.



Este equipo está destinado exclusivamente al uso en interiores.

Bang & Olufsen declara que este equipo, satisface los requisitos fundamentales y demás disposiciones correspondientes de la Directiva 1999/5/CE. La declaración de conformidad está disponible públicamente en el sitio web: www.bang-olufsen.com/guides.

Importante

- Evite colocar el equipo en un lugar expuesto a la luz solar directa o a luz artificial directa, como la generada por un foco halógeno.
- Asegúrese de que el equipo permanezca instalado, situado y conectado de acuerdo con las instrucciones.
- Coloque el equipo sobre una superficie firme o en un soporte apto para su instalación permanente. Use exclusivamente soportes de pie y de pared homologados por Bang & Olufsen.
- No coloque ningún objeto sobre el equipo.
- No someta el equipo a niveles elevados de humedad, a la lluvia o a fuentes de calor.
- Este equipo ha sido diseñado exclusivamente para el uso interior en entornos domésticos secos. El uso debe tener lugar a una temperatura comprendida entre 10 y 40 °C (50 y 105 °F).
- Mantenga el espacio necesario alrededor del equipo para favorecer su correcta ventilación.

- No conecte ninguno de los equipos del sistema a la red eléctrica hasta que haya conectado todos los cables.
- No intente abrir el equipo. Este tipo de operaciones debe ser realizado por personal técnico cualificado.
- El enchufe y el cable de alimentación suministrados han sido diseñados especialmente para este equipo. No cambie el enchufe; si el cable de alimentación resulta dañado, deberá adquirir otro a través de su distribuidor de Bang & Olufsen.

ADVERTENCIA: A fin de reducir el riesgo de incendio o descarga eléctrica, no exponga este aparato a la lluvia ni a la humedad. No exponga este equipo a goteos o salpicaduras ni coloque ningún objeto que contenga líquido, como un jarrón, sobre el mismo.

Italiano



Apparecchiature elettriche ed elettroniche, parti e batterie, contrassegnate con questo simbolo non devono essere smaltite con i normali rifiuti domestici, ma devono essere raccolte e smaltite separatamente per proteggere l'ambiente.

Per informazioni sulla procedura di smaltimento corretta per il proprio Paese, rivolgersi a un rivenditore Bang & Olufsen.



Inteso solo per uso al coperto.

Con la presente, Bang & Olufsen dichiara che questo prodotto, è conforme ai requisiti essenziali e altre disposizioni esposte nella Direttiva 1999/5/EC. La Dichiarazione di conformità può essere consultata all'indirizzo www.bang-olufsen.com/guides.

Importante!

- Non esporre il prodotto alla luce del sole o artificiale (ad esempio un faretto) diretta.

- Verificare che il prodotto sia stato installato, posizionato e collegato in conformità con le istruzioni fornite.
- Posizionare il prodotto su una superficie stabile o altra collocazione permanente. Utilizzare solo stand e staffe da parete approvati da Bang & Olufsen.
- Non posare oggetti sopra il prodotto.
- Non esporre il prodotto a valori elevati di umidità, a pioggia o a fonti di calore.
- Il prodotto è inteso solo per un uso in ambienti domestici e privi di umidità. Utilizzare a temperature comprese tra 10° e 40° C.
- Lasciare spazio sufficiente intorno al prodotto per consentirne una ventilazione adeguata.
- Non collegare nessuno dei singoli dispositivi dell'impianto alla rete di alimentazione prima di aver collegato tutti i cavi.
- Non tentare di aprire il prodotto. Queste operazioni sono esclusivamente di competenza del personale tecnico qualificato.

- Il cavo dell'alimentazione e la relativa spina in dotazione sono stati progettati specificamente per il prodotto. Non sostituire la spina e, se il cavo dovesse subire danni, è necessario acquistarne uno nuovo da un rivenditore Bang & Olufsen.

ATTENZIONE: per evitare il rischio di incendi o scariche elettriche, non esporre questo apparecchio a pioggia o umidità. Non esporre l'apparecchio a gocciolii o spruzzi e non collocare oggetti contenenti liquidi, ad esempio vasi, sopra di esso.



BeoSound 2

产品中有害物质的名称及含量

部件名称:	有害物质					
	铅 (Pb)	汞 (Hg)	镉 (Cd)	铬[六价] (Cr[VI])	多溴联苯 (PBB)	多溴二苯醚 (PBDE)
电路板	X	○	○	○	○	○
喇叭	X	○	○	○	○	○
线材	X	○	○	○	○	○
附件	X	○	○	○	○	○
金属箱体	X	○	○	○	○	○

本表格依据SJ/T 11364 的规定编制。

- 表示该有害物质在该部件所有均质材料中的含量均在 GB/T 26572 规定的限量要求以下。
- × 表示该有害物质至少在该部件的某一均质材料中的含量超出GB/T 26572 规定的限量要求。

공
개
한
이
이 기기는 가정용(B급) 전자파적합기기로서 주
로 가정에서 사용하는 것을 목적으로 하며,
모든지역에서 사용할 수 있습니다.
당해 무선설비는 전파혼신 가능성이 있으므로
인명안전과 관련된 서비스는 할 수 없음

以下規範供臺灣市場使用…

額定值	100-240VAC 50/60Hz 90W
耗電功率	90W / 110V / 60Hz 待機: 2.26 W 網路待機 (LAN) 2.38 W 網路待機 (WLAN) 2.62 W
尺寸	H 431.6mm / Ø 195.86mm
顏色	自然色
區域網路	100 Mbps
無線技術	WLAN IEEE 802.11 b/g, a, n, 2.4GHz and 5GHz, Max 20 dBm Bluetooth 4.2 and classic 2.1 plus EDR, BT LE Max 4 dBm, BT classic max 10dBm

5250MHz-5350 MHz 頻帶工作時僅限於室內使用本產品符合低功率電波輻射性電機管理辦法：

第十二條經形式認證合格之低功率射頻電機，非經許可，公司、商號或使用者均不得擅自變更頻率、加大功率或變更原設計之特性及功能。

第十四條低功率射頻電機之使用不得影響飛航安全及干擾合法通信；經發現有干擾現象時，應立即停用，並改善至無干擾時方得繼續使用。

前項合法通信，指依電信規定作業之無線電信。低功率射頻電機須忍受合法通信或工業、科學及醫療用電波輻射性電機設備之干擾。