



# BeoLab 3

Guide

**BANG & OLUFSEN**

	<b>CAUTION</b> RISK OF ELECTRIC SHOCK DO NOT OPEN	
<b>CAUTION: To reduce the risk of electric shock, do not remove cover (or back). No User-serviceable parts inside. Refer servicing to qualified service personnel.</b>		

**WARNING:** To prevent fire or electric shock, do not expose this appliance to rain or moisture. Do not expose this equipment to dripping or splashing and ensure that no objects filled with liquids, such as vases, are placed on the equipment.

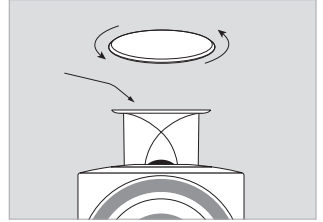
To completely disconnect this equipment from the AC Mains, disconnect the power supply cord plug from the AC receptacle.



This symbol indicates that a dangerous voltage constituting a risk of electric shock is present within this unit.



This symbol indicates that there are important operating and maintenance instructions in the literature accompanying this unit.



To get access to the approval labels, remove the BeoLab 3 top cap.

*NOTE! Prolonged listening at high volume levels may cause hearing damages*



Acoustic Lens Technology –  
manufactured under license from  
Sausalito Audio Works.

When you have finished setting up the loudspeakers as described on the following pages, connect the entire system to the mains. The loudspeakers are designed to be left in standby when not in use.

### Loudspeaker protection

The loudspeaker is equipped with a thermal protection system which prevents overheating. If an error occurs – or the speaker units become overheated – the system automatically switches the loudspeaker to standby, and the indicator light turns yellow.

### To restore the situation:

- > Disconnect the loudspeaker from the mains.
- > Allow the system time to reset (approximately 3–5 minutes).
- > Reconnect the loudspeaker to the mains again.

*Should the problem persist, contact your Bang & Olufsen retailer.*

### Switching on and off

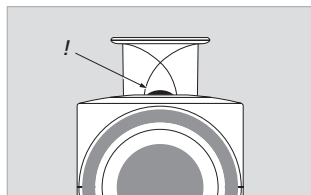
When you switch on your system, the loudspeaker switches on simultaneously, and the indicator light shines green.

When you switch off your system, or mute the sound, the indicator light turns red.

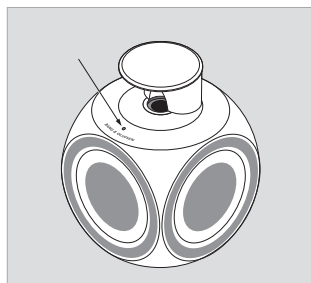
### Cleaning

Clean the loudspeaker surfaces using a soft, lint-free cloth which you have dipped in lukewarm water and wrung firmly.

*Never use alcohol or other solvents to clean any parts of the loudspeaker!*



**Caution:** Do not touch the BeoLab 3 top speaker membrane!

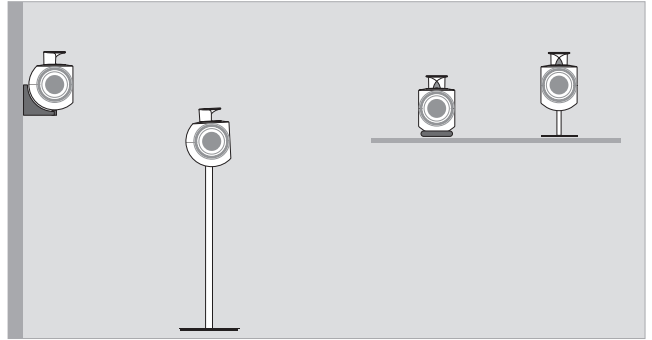


**Indicator light:** In daily use the indicator light shines either red (standby) or green (playing). If an error occurs – or the speaker units become overheated – the light switches to yellow.

## Setting up BeoLab 3

*We recommend that you follow this procedure:*

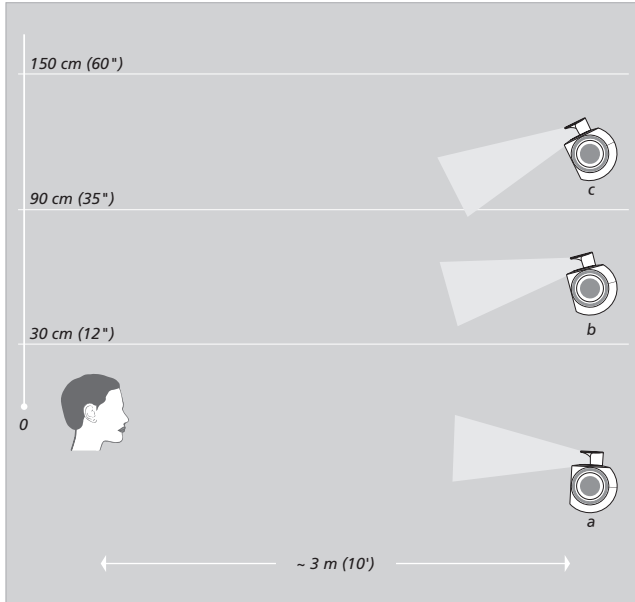
- Disconnect your system from the mains.
- Place the loudspeaker according to the guidelines on these two pages. For information on how to fasten the loudspeaker to the optional accessories, refer to the Guide enclosed with the accessory.
- Connect the loudspeaker and set the SETUP switch as explained in 'Cable connections' (pp. 6–7).
- Set the POSITION switch to the correct setting on each loudspeaker. This is explained in 'Adapt BeoLab 3 to your room' (pp. 8–10).
- Connect the entire system to the mains again.



*The loudspeaker must be placed on either the black rubber base, a floor stand, a table stand, or a wall bracket.*

### Cautions

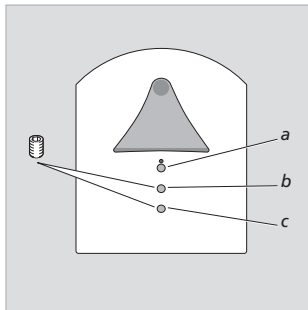
- Make sure that the loudspeaker is placed and connected in accordance with the instructions in this Guide.
- Do not attempt to open the loudspeaker. Leave such operations to qualified service personnel!
- The loudspeaker is designed for indoor use in dry, domestic environments only, and for use within a temperature range of 10–40° C (50–105° F).
- Do not in any way block the free movement of the speaker units, and do not apply any force to them, as this may result in permanent damage!
- Do not lift the loudspeaker by gripping the top part (the acoustic lens).
- Do not place any items on top of the loudspeaker.
- Do not place the loudspeaker enclosed in, for example, a small bookcase.
- Leave a minimum of 20 cm (8") free space at the sides, and never place anything directly in front of the loudspeaker.
- Always place the loudspeaker in an upright position.



*For optimal sound performance make sure that the loudspeaker is directed towards your preferred listening position.*

*The heights shown are guidelines, and will vary according to the distance from your preferred listening position to the loudspeaker.*

*When mounted correctly on the floor stand, the loudspeaker 'leans' slightly backwards.*

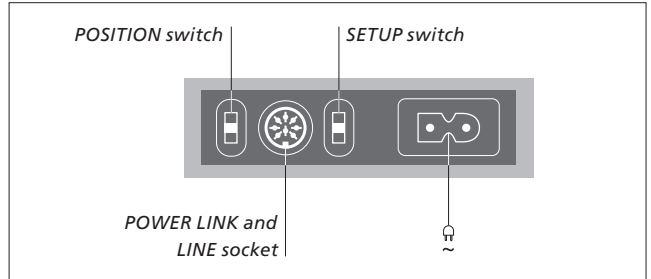


*The mounting holes (b and c) are blocked by two small screws, and before you can use either of these holes, the screw must be removed.*

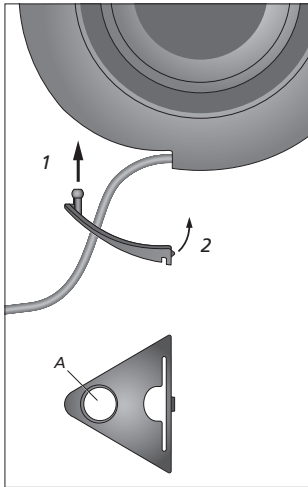
*Note: When mounting the loudspeaker on the floor stand, use mounting hole (a) only!*

## Cable connections

The loudspeaker can be used with Bang & Olufsen audio, video and link systems. It may also be used with non-Bang & Olufsen systems.



The socket panel is located on the bottom part of the loudspeaker.



**Cover for socket panel:** Run the two cables through the hole (A), before you connect them to the loudspeaker.

### POSITION switch

This switch has three settings: FREE, WALL, and CORNER. Which setting to use is explained in 'Adapt BeoLab 3 to your room' (pp. 8–10).

### SETUP switch

This switch has three settings: RIGHT, LEFT, and LINE.

Set the switch to RIGHT or LEFT, when connecting loudspeakers in a Bang & Olufsen system. Set the switch to LINE when connecting loudspeakers in a non-Bang & Olufsen system.

### POWER LINK and LINE socket

Use this socket to connect the loudspeaker to your system...

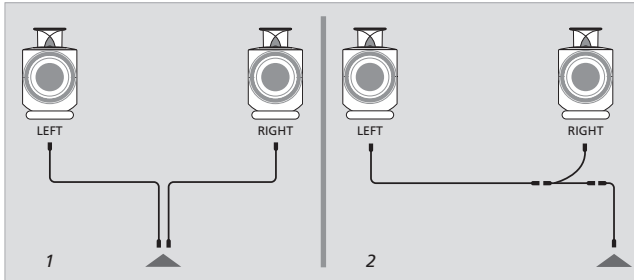
### ...To a Bang & Olufsen system:

Use a Bang & Olufsen Power Link cable to connect the loudspeaker to your system. Remember to set the SETUP switch to RIGHT and LEFT (the right and left sound channel), respectively.

### ...To a non-Bang & Olufsen system:

Use a special adapter with an ordinary phono/RCA plug in one end, and a DIN-plug in the other (optional accessory, available from your Bang & Olufsen retailer). Remember to set the SETUP switch to LINE.

The LINE signal must be a volume-controlled line-level signal not exceeding 3 V<sub>RMS</sub>.

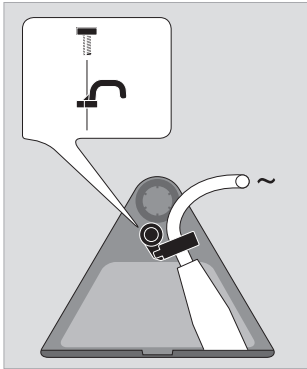


**Power Link connections:** *These connections carry both the right and left sound signals. Therefore, the cables may be run in two ways:*

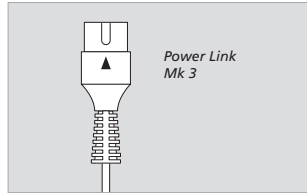
- 1 Run a Power Link cable from the Bang & Olufsen system directly to each loudspeaker.

*Or*

- 2 Use a Power Link adapter (optional accessory, available from your Bang & Olufsen retailer). Run a cable from the Bang & Olufsen system to the first loudspeaker, and then run another cable from the first loudspeaker to the next (this will often minimize cable clutter).



**Cable Clamp:** *For safety reasons, the mains lead must be secured to the loudspeaker. Use the enclosed small cable clamp and screw.*



**Power Link cables:** *The cables must be of the type which are marked with a triangle on the plug. Do not use any of the old type of Power Link cables, as this will cause noise, and thus not give optimum sound quality!*

## Adapt BeoLab 3 to your room

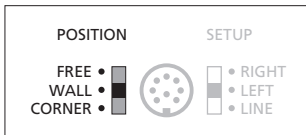
*The loudspeaker may be placed almost anywhere in your room. However, the most natural sound and best stereo perspective is obtained if it is set up as explained on these pages.*

### The POSITION switch

When a loudspeaker is placed in a corner, the bass level is boosted compared to the bass level from a loudspeaker placed in a more free-standing position.

To filter out this natural bass boost, the loudspeaker has a switch marked POSITION. The purpose of the switch is to ensure that the bass level suits the placement of the loudspeaker. The appropriate switch setting depends on the distance from the loudspeaker to the walls and corners of the room.

*The POSITION switch has three settings:*



*The POSITION switch is located on the socket panel.*

*Note: It is important that you set the SETUP switch to the correct setting on each of the loudspeakers – as explained on page 6.*

#### • FREE

Use this setting if the loudspeaker is placed more than 30 cm (12") from the wall, and no closer to a corner than 65 cm (25") – shown by the large light grey area in the illustration on the next page.

#### • WALL

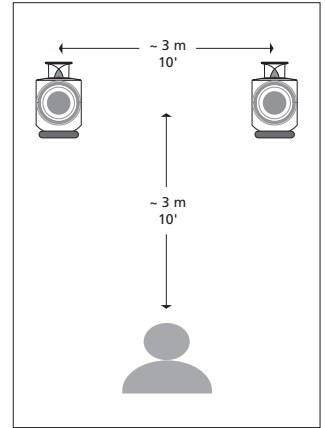
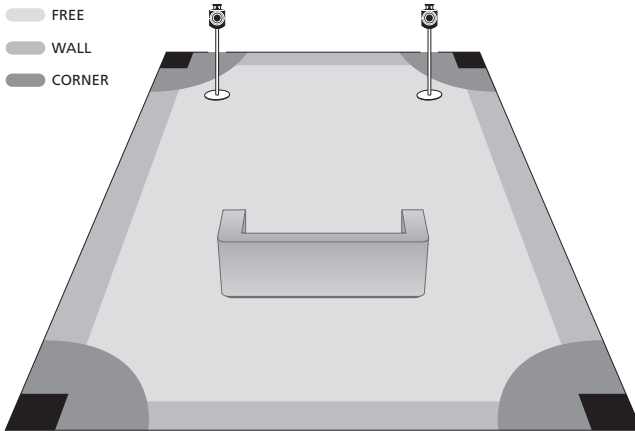
Use this setting if the loudspeaker is placed less than 20 cm (8") from a wall, and no closer to a corner than 65 cm (25") – shown by the grey areas along the walls in the illustration on the next page.

#### • CORNER

Use this setting if the loudspeaker is placed in a corner – shown by the dark grey areas in the illustration on the next page.

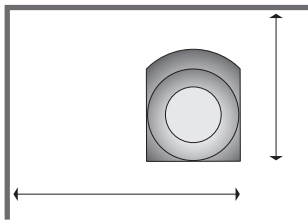
*However, we do not recommend that you place the loudspeaker closer to the corner than 30 cm (12") – shown by the black areas in the illustration on the next page.*





*To obtain the most natural sound and best stereo perspective, set up your favourite listening position as shown here.*

*The 'Acoustic Lens Technology' system ensures better balance in the high tone frequencies coming directly from the loudspeaker, and the sound reflected by the room. The system also ensures correct tonal balance in the whole area in front of the loudspeaker.*

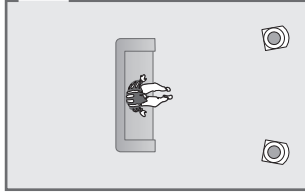


**How to measure?** *The distances referred to, are measured as shown here (the loudspeaker seen from above).*

*The distances are meant as guidelines, and you may, of course, set the POSITION switch to any of the three settings you prefer.*

### Setup examples

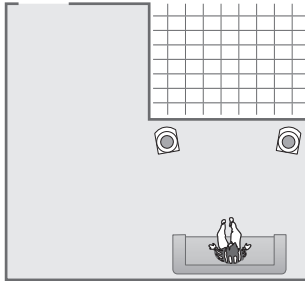
Here are three examples which show how to set the POSITION switch on each loudspeaker in different setups.



**Example 1:** The loudspeakers are placed in one end of the room (but not against the back wall), and not near the side walls. Therefore, the POSITION switch should be set to FREE on both loudspeakers.



**Example 2:** One loudspeaker is placed against the wall, and the other is placed in a corner. Therefore, the left loudspeaker should be set to WALL, and the right loudspeaker should be set to CORNER.



**Example 3:** As in example 2, one loudspeaker is placed against the wall, and the other is placed in a corner. The shape of the room has no influence on which setting to select. Therefore, the left loudspeaker should be set to WALL, and the right loudspeaker should be set to CORNER.

### If you have a BeoLab 2 subwoofer setup...

As explained in the BeoLab 2 Guide, the subwoofer has a SETUP switch which can be set to 1, 2, or 3. This will adapt the output from BeoLab 2 to the sensitivity levels of different BeoLab loudspeakers.

If you connect a pair of BeoLab 3 loudspeakers to the BeoLab 2 subwoofer, we recommend that you set the **BeoLab 2 SETUP** switch to 2.



*This product fulfils the conditions stated in the EEU directives 89/336 and 73/23.*

***For the US-market only!***

NOTE: This equipment has been tested and found to comply with the limits for a class B digital device, pursuant to part 15 of the FCC Rules. These limits are designed to provide reasonable protection against harmful interference in a residential installation.

This equipment generates, uses and can radiate radio frequency energy and, if not installed and used in accordance with the instructions, may cause harmful interference to radio communications. However, there is no guarantee that interference will not occur in a particular installation. If this equipment does cause harmful interference to radio or television reception, which can be determined by turning the equipment off and on, the user is encouraged to try to correct the interference by one or more of the following measures:

- Reorient or relocate the receiving antenna.
- Increase the separation between the equipment and receiver.
- Connect the equipment into an outlet on a circuit different from that to which the receiver is connected.
- Consult the dealer or an experienced radio/TV technician for help.

***For the Canadian market only!***

This class B digital apparatus meets all requirements of the Canadian Interference-Causing Equipment Regulations.



## **Contents**

Daily use

Setting up BeoLab 3

Cable connections

Adapt BeoLab 3 to your room