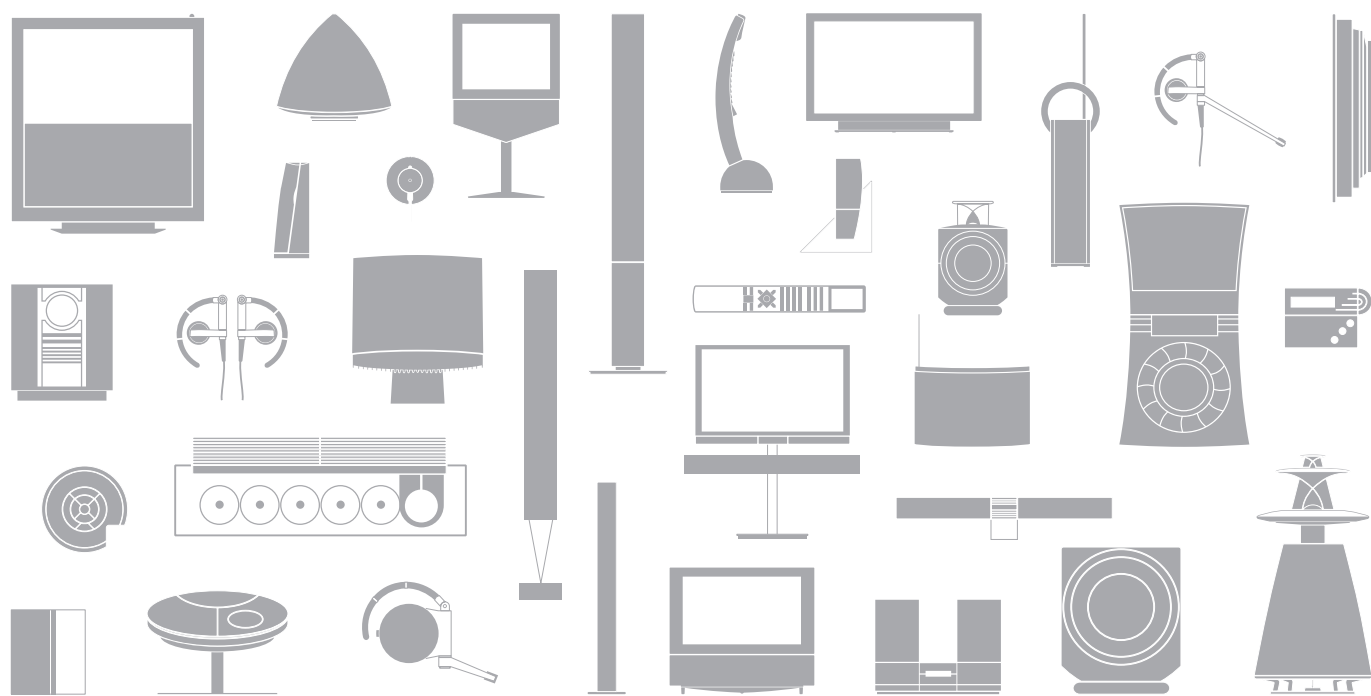
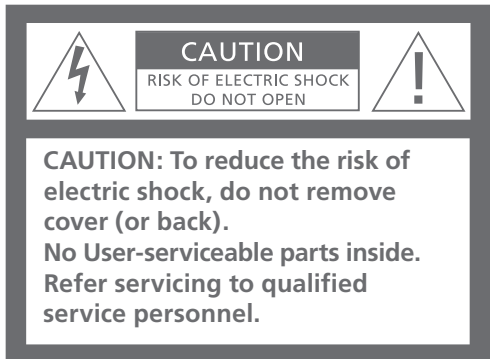


BeoSound 1

Guide



Legal Notice for the US market:



WARNING: To prevent fire or electric shock, do not expose this appliance to rain or moisture.



This symbol indicates that a dangerous voltage constituting a risk of electric shock is present within this unit.



This symbol indicates that there are important operating and maintenance instructions in the literature accompanying this unit.

For the Canadian market only!

CAUTION: To prevent electric shock do not use the polarized plug, attached to this apparatus, with an extension cord, receptacle or other outlet unless the blades can be fully inserted to prevent blade exposure.

A movable music centre

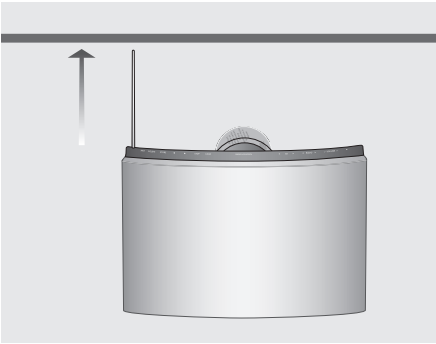
Place your BeoSound 1 where you like. The compact design enables you to bring it with you anywhere.

BeoSound 1 gives you an excellent sound experience no matter how near or far you are from the speakers. The sound is optimised and no additional settings are required.

Connect BeoSound 1 to the mains and press a button to listen to sound of your choice – it's as simple as that.

Before you start...

Placement

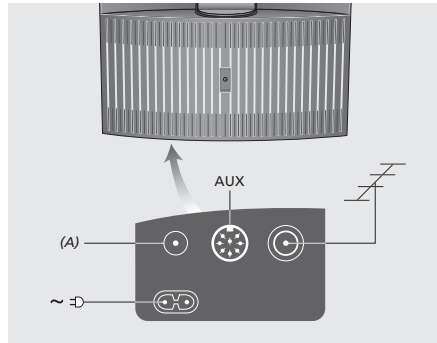


Allow enough space above the BeoSound 1 to enable the built-in aerial to extend and the CD compartment to raise.

Make sure that the BeoSound 1 is always placed on a firm, stable surface. The BeoSound 1 is designed for indoor use in dry, domestic environments only, and for use within a temperature range of 10–40°C (50–105°F).

If you connect external sources to the BeoSound 1, do not switch on the mains until you have made all connections.

Connections



The socket panel is located underneath the BeoSound 1. The socket panel contains mains, aerial and AUX sockets.

Auxiliary equipment...

Use the AUX socket to connect auxiliary equipment, e.g. an audio tape recorder or a mini disc player. Please consult a Bang & Olufsen retailer for details.

If a recorder is connected to your BeoSound 1, you can make recordings from the radio and CD player. Please refer to the user's guide supplied with the recorder.

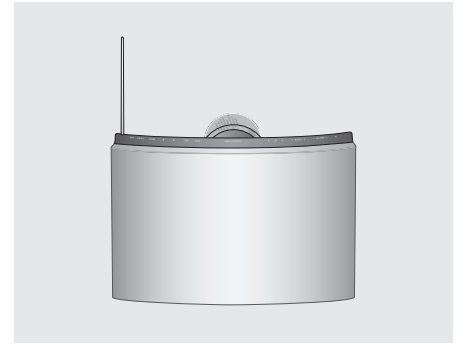
However, if you operate the BeoSound 1 while such a recording is in progress, the recording will be disrupted.

The AUX socket is activated by pressing both ◀ CD ▶ simultaneously.

External aerial...

If you wish to connect an external aerial to BeoSound 1, move the built-in aerial plug to the position marked (A), and connect the external one to the socket instead.

Maintenance



Do not use alcohol or other solvents to clean any part of the BeoSound 1. We do not recommend using special cleaning CDs in the BeoSound 1.

Before you clean the BeoSound 1, we recommend that you disconnect it from the mains to prevent inadvertent operation.

Clean dusty surfaces using a dry, soft cloth. If necessary remove grease stains or persistent dirt with a lint-free, firmly wrung cloth, dipped in a solution of water containing only a few drops of mild detergent, such as washing-up liquid.

The front may also be cleaned with a soft brush mounted on a vacuum cleaner set to the lowest level.

Key to using this guide

Use this Key to identify what a button or a display looks like in an instruction sequence.

◀ **RADIO** ▶ Buttons on the BeoSound 1
close-up operation panel or
on the Beo4 remote control

∨ **VOLUME** ∧
STOP

Pr 4

Display on BeoSound 1

BeoSound 1

6 Buttons on the close-up operation panel

Basic daily operations

- 8 Switch on the radio
- 8 Switch on the CD player
- 9 Adjust volume
- 9 What you see in the display
- 9 Changing the display mode or light

Making the radio stop at a specific time

10 Setting a Stop Timer

Set the time

11 Set the time for the built-in clock

Making the radio or CD player start at a specific time

12 Setting a Wake-up Timer

Playing favourite CD tracks only

14 Choose tracks to listen to

Tuning in radio stations

- 16 Automatic tuning
- 17 Manual tuning
- 17 Delete a radio station

Remote control operation

18 Operating BeoSound 1 with Beo4

Use the PIN code system

- 20 Enter a PIN code
- 20 Switch on the PIN code
- 21 Change the PIN code
- 21 Switch off the PIN code
- 21 Using a Master code

Your key to using BeoSound 1

Operation is easy. The buttons essential to daily operation are on the right-hand side, while those on the left-hand side have secondary functions.

Just press a single button to listen to sound of your choice. The display will show your choice.



AERIAL is used to extend and retract the built-in aerial

AERIAL

DELETE is used to delete station settings and to omit CD tracks from playback

DELETE

STORE is used to store radio stations, volume level, clock and Wake-up Timer

STORE

◀ and ▶ are used for searching through a CD, for tuning in radio stations and for programming the clock and setting a Wake-up Timer

◀ ▶

STOP is used to pause and stop the CD player, for programming Stop Timers and tuning in radio stations

STOP

LOAD is used to open and close the CD compartment

LOAD

◀ **CD** ▶

Is used to switch on the CD player. ◀ and ▶ steps backwards and forwards through tracks. Pressing both buttons at the same time activates the AUX socket

◀ **RADIO** ▶

Is used to switch on the radio. ◀ and ▶ steps backwards and forwards through radio stations

∨ **VOLUME** ∧

Is used to adjust volume. ∨ and ∧ turns the volume down and up. Press simultaneously to mute the speakers. Press one of the buttons to recall sound

STAND BY

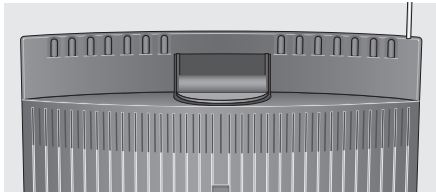
Switches BeoSound 1 to standby

BeoSound 1 presents essential audio sources in a compact and easily operated way.

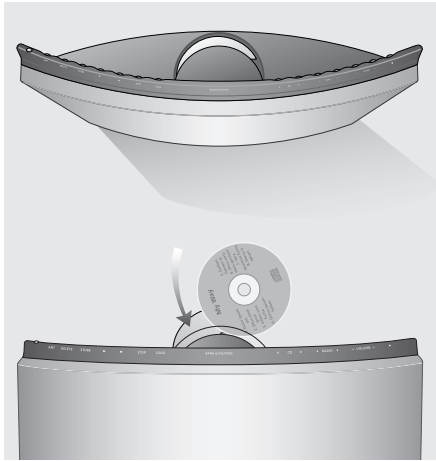
The compact design and the built-in handle lets you to take the music with you.

The radio finds the first available station the first time you press the RADIO button. Press AERIAL to extend or retract the built-in aerial. You can also push the aerial down manually.

If no CD is loaded when you press CD, the CD compartment raises automatically, ready to be loaded with your favourite CD.

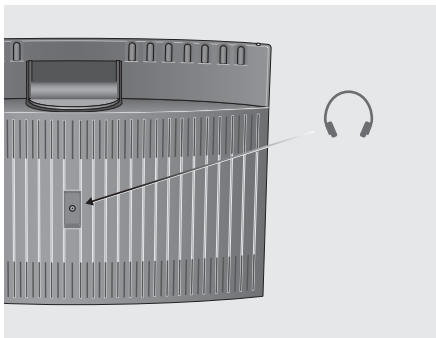


All buttons are located at the back of the operation panel.

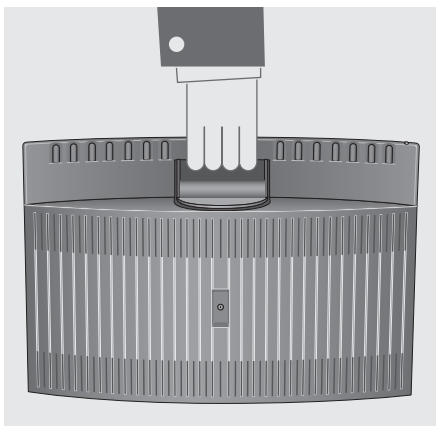


The CD compartment is located behind the operation panel.

- Press LOAD to raise the CD compartment.
- When the CD compartment is raised, slip the CD into the slot provided. Always load the CD with the CD label facing you.
- Press LOAD again to lower the compartment or just press CD to play your CD.



Remove the cover at the back of BeoSound 1 and connect the headphones to the socket. The speakers will be muted when headphones are connected.



Just use the handle when moving BeoSound 1.

Daily operation of radio and CD player

To listen to the radio, just press one of the radio buttons, the radio will start playing on the radio station you last listened to.

You extend the built-in aerial by pressing the AERIAL button. You can store up to 59 different radio stations in your BeoSound 1 (see page 12). To step between stored radio stations, the program number or frequency must be shown in the display.

If no CD is loaded when you press one of the CD buttons, the CD compartment raises, ready for you to load a CD. When the CD has stopped playing and no commands have been received for 30 minutes, BeoSound 1 switches to standby.

You can adjust and store the volume level at any time.

The display will keep you informed of what you have chosen and you can set the display light to the level suitable for you. Also, choose the display mode you prefer for radio stations; program number or frequency.

Switch on the radio

When you press RADIO before any radio stations have been stored, the radio will find the first available station.

◀ RADIO ▶	Press RADIO to switch on the radio
Pr 12	The program number or frequency is shown in the display
◀ RADIO ▶	Press ◀ to step down and ▶ to step up through the stored stations. Keep the button pressed down to 'search' through stored stations
STAND BY	Press to switch BeoSound 1 to standby
AERIAL	Press AERIAL to extend or retract the built-in aerial

Note: When the program number is shown, press ◀◀ or ▶▶ to check the frequency for the current radio program number.

Switch on the CD player

When you search through a CD, searching will continue as long as you keep the button pressed down. The CD resumes playing, when the button is released.

◀ CD ▶	Press CD to switch on the CD player
CD 1	The track number is shown in the display
◀ CD ▶	Press ◀ to step to the previous track. Press ▶ to step to the next track
◀◀	Press ◀◀ to search backwards through the CD
▶▶	Press ▶▶ to search forwards through the CD
STOP	Press STOP to pause the CD
STOP	Press STOP again to resume playback
LOAD	Press LOAD to open or close the CD compartment

Adjust volume

You can turn the volume up and down at any time. If you store a volume level, the BeoSound 1 starts at this level next time it is switched on. The maximum volume level is 72, but the maximum level that can be stored is 60.

∨ **VOLUME** ∧ Press ∨ to turn the volume down
Press ∧ to turn the volume up

32 The volume level is shown in the display

STORE Press STORE twice to store the volume level shown in the display

∨ **VOLUME** ∧ Press both ∧ and ∨ simultaneously to mute the speakers.
Press one of the buttons to recall the sound

Reading the display

The luminous display will keep you informed of the source you have chosen, and what the system is doing.

Pr13 Pr13 indicates the present radio program

88.9 88.9 indicates the radio frequency

Cd 1 Cd 1 indicates that track number one on the CD is playing

Cd-- Cd-- indicates that the CD is paused

2.33 2.33 indicates the time when searching through a CD

32 32 indicates the volume

-- -- indicates that the speakers are muted

45 45 indicates the number of minutes for a Stop Timer

20.15 20.15 indicates the time

AU AU indicates that the AUX socket is activated

Pin Pin indicates the PIN code system

• BeoSound 1 is in standby

Changing the display

Change the display mode or light, three different light settings are available. BeoSound 1 remembers your mode or light setting until you change it again.

Change the display mode...

◀ **RADIO** ▶ Press ◀ and ▶ at the same time to change from program number to frequency

◀ **RADIO** ▶ To change back to program number, press ◀ and ▶ again at the same time

Change the display light...

STORE Keep the STORE button pressed down

∨ **VOLUME** ∧ Press ∨ to dim the display light and press ∧ to brighten the display light

Make BeoSound 1 stop at a specific time

You can decide in advance how long you want to listen to the radio. BeoSound 1 can switch automatically to standby when you are done.

You set the number of minutes – 15, 30, 45, 60, 90, 120 or 00 – that you would like the radio to play before it switches to standby.

Make a Stop Timer

You can set how long the radio is to play before it switches to standby. The BeoSound 1 can of course be switched to standby before this Stop Timer is carried out.

- ◀ **RADIO** ▶ Press RADIO to switch on the radio
- STOP** Press STOP to set a Stop Timer
- 15** The number of minutes before the radio will switch to standby is shown in the display
- STOP** Press STOP again to change the number of minutes
- 30** The number of minutes is shown in the display
- Wait 5 seconds with the time shown in the display, then the Stop Timer is stored

Note: The Stop Timer can be cancelled by pressing CD or STANDBY before the Stop Timer settings are stored. Also choosing 00 is the same as cancelling the Stop Timer.

Set the right time

The BeoSound 1 has a built-in 24 hour clock. You must set the clock yourself.

If you want to make use of the Wake-up Timer function described on the next page, you must first make sure that the built-in clock in the BeoSound 1 has been set correctly. If BeoSound 1 has been disconnected from the mains for approximately 30 minutes, the clock must be set again.

Set the built-in clock

You must set the built-in clock manually while BeoSound 1 is in standby.



While BeoSound 1 is in standby, press ◀ and ▶ simultaneously and hold until the time is shown in the display. Both the digits and the dot are blinking



If no time is set, the display will show lines instead of digits



Press ◀ or ▶ to find the correct time. Holding down ◀ or ▶ will accelerate the change in numbers



Press STORE to store the correct time. The time is briefly shown in the display

See the stored time

The stored time can be shown briefly in the display.



Press both ◀ and ▶ shorty. The time is shown briefly in the display, the dot is blinking



While BeoSound 1 is in standby, press the STANDBY button to see the time in the display

NOTE! Pressing the red button on the Beo4 remote control will show the time in the display

Wake-up Timer

You can make BeoSound 1 wake you up in the morning.

The Wake-up Timer is a once-only Timer. Like an alarm clock it is deleted once it has been executed.

While the Timer is executed, the time is shown in the display, when you operate or switch off your BeoSound 1, the display returns to the mode you have chosen.

Once you have made one Wake-up Timer, BeoSound 1 automatically suggests the time you entered for the latest Wake-up Timer in the display when you enter a new one.

Wake-up Timers can of course also be deleted again.

Enter a Wake-up Timer

When you choose radio as your source, the radio will start playing on the station you last listened to. If you choose CD as your source, make sure that a CD is loaded. If you do not choose a source, the radio will be used for your Wake-up Timer.

◀▶
6.25

While BeoSound 1 is in standby, press and hold ◀ or ▶ until the time for the latest Wake-up Timer is shown in the display, the digits are blinking

◀▶
7.10

Press ◀ or ▶ to find the time you want the BeoSound 1 to start playing. Holding down ◀ or ▶ will accelerate the change in numbers

◀ RADIO ▶
Pr

Press the button of the source you want to use for your Wake-up Timer; RADIO or CD. Pr or Cd is shown in the display

STORE
7.10

Press STORE to store the time you want. The time for the Wake-up Timer is briefly shown in the display

Using Beo4

You can also use the Beo4 remote control to enter a Wake-up Timer.

MENU
6.25

While BeoSound 1 is in standby, press the MENU button on Beo4. The time for the latest Wake-up Timer is shown in the display, the digits are blinking

1 – 9
7.10

Key in the time you want BeoSound 1 to start playing

RADIO
Pr

Press the button of the source you want to use for your Wake-up Timer, RADIO or CD. Pr or Cd is shown in the display

GO
7.10

Press GO to store your Wake-up Timer. The Wake-up time is shown briefly in the display

NOTE! If the clock has not been set, or BeoSound 1 has been disconnected from the mains for approx. 30 minutes, it is not possible to set a Wake-up Timer. The clock must be set first, refer to the previous page.

Check or delete a Wake-up Timer

You can call up the settings for the Wake-up Timer in the display to check the time or to delete the Wake-up Timer.



While BeoSound 1 is in standby, press and hold ◀ or ▶ until the time for the Wake-up Timer is shown in the display, the digits are blinking

7.10

STORE

Press STORE to confirm your Wake-up Timer, or...

7.10

DELETE

press DELETE to delete the Wake-up Timer. -- is shown in the display

--






Play favourite CD tracks only

If you only like some tracks on a CD, you can set BeoSound 1 to ignore the ones you do not like.

You make this selection by “deleting” the tracks you do not want to listen to. The CD player remembers your selection as long as you leave the CD in the CD compartment. Once the CD compartment has been opened, it is again possible to listen to all the tracks on the CD.

Omit tracks from playback

When you ‘delete’ a track on a CD, the next track starts playing.

- 
 Press CD to switch on the CD player
- 
 The track number is shown in the display
- DELETE**
 Press DELETE to ‘delete’ the track you are listening to
- 
 Press  to step to the next, and  to step to the previous track, and continue ‘delete’ the tracks you do not want to listen to

Tune in radio stations

You can let the radio find the available radio stations for you, and then store them on a program number of your own choice.

You can also tune the radio manually and find specific stations yourself.

To tune in stations, the frequency must be shown in the display.

Any stored radio station can be deleted again.

Search tuning

During search tuning all available stations producing an acceptable signal are found. However, this may include empty channels which should not be stored.

- ◀ **RADIO** ▶ Press RADIO to switch on the radio
- ◀▶ Press ◀◀ or ▶▶ to see the frequency in the display
92.3
- ◀▶ Press ◀◀ or ▶▶ again to start the search tuning function
92.8 During tuning, the frequency is shown in the display
- STORE** Press STORE when the requested station is found
Pr 12 The first available program number will blink in the display
- ◀▶ Press ◀◀ or ▶▶ to change the program number, if you like
- STORE** Press STORE to store the station on the displayed program number
- ◀▶ Press ◀◀ or ▶▶ twice to resume search tuning and repeat the procedure when the station you want is found

Note: If you do not wish to store a found station, you resume search tuning by pressing ◀◀ or ▶▶.

Manual tuning

When search tuning does not produce a specific radio station, you can perform manual tuning to store the specific station.

- ◀ **RADIO** ▶ Press RADIO to switch on the radio
- ◀▶ Press ◀◀ or ▶▶ to see the frequency in the display
92.3
- ◀▶ Press again to start the search tuning function
92.8 During tuning, the frequency is shown in the display
- STOP** Press STOP during search tuning to perform manual tuning
- ◀▶ Keep ◀◀ or ▶▶ pressed down to tune up or down the frequency band
92.9 The frequency is shown in the display and the last digit is blinking
- STORE** Press STORE when the requested station is found
Pr 4 The first available program number is displayed
- ◀▶ Press ◀◀ or ▶▶ to change the program number, if you like
- STORE** Press STORE to store the radio station on the displayed program number

NOTE! When performing search tuning in areas with many empty channels in the frequency band, it might be an advantage not to extend the built-in aerial, BeoSound 1 will then skip most empty or weak channels.

Delete radio stations

You can delete the stored radio stations any time.

- ◀ **RADIO** ▶ Press RADIO to switch on the radio

- ◀ **RADIO** ▶ Press ◀ or ▶ to find the requested radio station

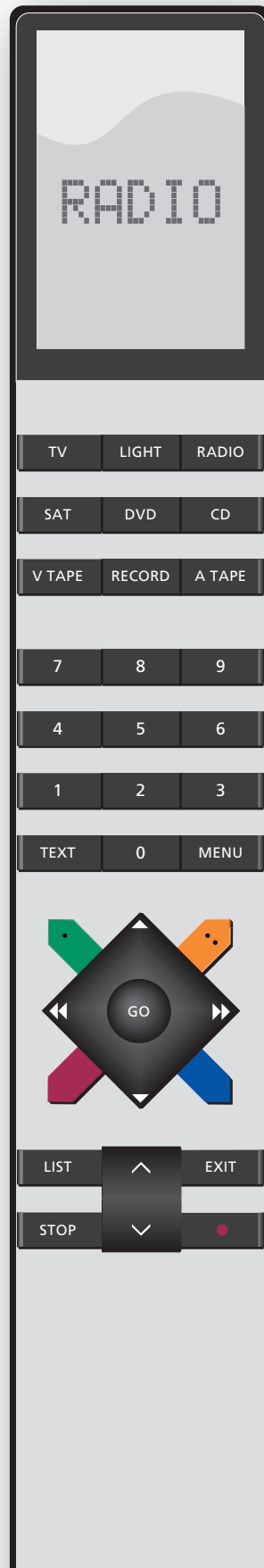
- DELETE** Press DELETE twice to delete the radio station playing. The display will blink and the radio will switch to the next program number

Beo4 remote control

Although designed primarily for close-up operation, the BeoSound 1 can also be operated from a distance. The Beo4 remote control operates all the primary functions in your BeoSound 1.

With Beo4, you can switch on or off, select radio programs or CD tracks and adjust sound.

If your BeoSound 1 is used together with other Bang & Olufsen products, please turn to the User's guides delivered with these products for further explanation on their operation.



- RADIO** Press RADIO to switch on the radio
- CD** Press CD to switch on the CD player
- A TAPE** Press A TAPE to activate any extra equipment connected to the AUX socket
- 0 – 9** Use the number buttons to key in the exact radio program number or CD track number
- MENU** Press to program a Wake-up Timer
- ▲ Press to step through your radio programs, or tracks on a CD
- ▼
- ◀ ▶ Press and hold down to search through a CD
- STOP** Press STOP to pause playback any time
- GO** Press GO to resume playback of a CD or store a Wake-up Timer
- Press the red button to see the time in the BeoSound 1 display
- Press the green button to extend or retract the built-in aerial
- Press the yellow button to open or close the CD compartment
- ^ Press to raise or lower volume
- v Press in the middle to mute sound
- Press to switch the BeoSound 1 to standby

Use the PIN code system

It is your own choice whether or not to activate the PIN code system. However, if you choose to activate the system, your BeoSound 1 is protected against theft with a fourdigit PIN code.

The use of a PIN code means that if your BeoSound 1 is disconnected from the mains for more than 30 minutes, the system can only be activated again by keying in your own personal PIN code.

If the PIN code is not entered, the BeoSound 1 automatically switches to standby after 3 minutes.

If a wrong PIN code is entered, you get five attempts to key in the code, after which the system is switched off and cannot be switched on for 3 hours.

Should you forget your PIN code, please contact a retailer who can assist you in receiving a Master code from Bang & Olufsen. You need the Master code to reactivate your BeoSound 1.

Enter the PIN code

If the PIN code system is activated and your BeoSound 1 is disconnected from the mains, you are requested to key in the four-digit PIN code when the system is first switched on.

Pin	The cue Pin is displayed shortly.
oooo	The display changes to four squares
◀ ▶	Press ◀ or ▶ to reveal digits
3 _ _ _	The squares change to underscores and the first digit is shown in the display
STORE	Press STORE to store the displayed digit and proceed to the next
o _ _ _	The digit is replaced by a square and the next underscore will blink
STORE	Press STORE when the last digit is displayed
Pr 8	BeoSound 1 switches on to the last used source. If radio was used last, the program number is shown in the display

NOTE: If a wrong code is entered the second time, the cue Err appears in the display, and you must enter and confirm the code again.

NOTE: If you accidentally store a wrong digit, pressing STOP will delete all digits again, and you can enter new ones.

Activate the PIN code system

The PIN code system is easily activated, and you choose the four-digit code yourself.

◀◀	Press twice when the set is in standby
STOP	Press STOP to key in a four-digit PIN code of your own choice
Pin	Pin appears briefly, and then
_ _ _ _	four underscores appear
◀ ▶	Press ◀ or ▶ repeatedly to reveal digits
3 _ _ _	The digits are shown in the display
STORE	Press STORE to accept the displayed digit and proceed to the next
o _ _ _	The digit is replaced by a square and the next underscore will blink
STORE	Press STORE when the last digit is displayed
_ _ _ _	The display returns to four underscores and you must confirm the PIN code by entering it again

Change your PIN code

You can change your PIN code at any time. However, for security reasons it is only possible to change the PIN code five times within a period of 3 hours. You must enter your current PIN code before changing the code.

◀◀	Press twice when the set is in standby
STOP	Press STOP to key in the fourdigit PIN code
Pin o o o o	Pin appears briefly, and then four squares appear
◀◀ ▶▶	Press ◀◀ or ▶▶ repeatedly to reveal digits
3 _ _ _	The squares changes to underscores and the first digit is shown in the display
STORE	Press STORE to accept the displayed digit and proceed to the next
o _ _ _	The digit is replaced by a square and the next underscore will blink
STORE	Press STORE when the last digit is entered
Pin _ _ _ _	Pin appears briefly, then the display returns to four underscores and you must enter a new PIN code and confirm it

Deactivate the PIN code system

You can deactivate the PIN code system at any time. All you need to do is enter your PIN code first and then you can deactivate the system.

◀◀	Press twice when the set is in standby
STOP	Press STOP to key in the fourdigit PIN code
Pin o o o o	Pin appears briefly, and then four squares appear
◀◀ ▶▶	Press ◀◀ or ▶▶ repeatedly to reveal digits
3 _ _ _	The squares changes to underscores and the first digit is shown in the display
STORE	Press STORE to accept the displayed digit and proceed to the next
o _ _ _	The digit is replaced by a square and the next underscore will blink
STORE	Press STORE when the last digit is entered
Pin _ _ _ _	Pin appears briefly, then the display returns to four underscores
DELETE	Press DELETE to deactivate the PIN code system
dEL	DEL appears in the display
STORE	Press STORE to deactivate the PIN code system

If you have forgotten your PIN code

If you have forgotten your PIN code, you must contact a retailer who then requests a fivedigit Master code from Bang & Olufsen. Once you have keyed in this code, your BeoSound 1 is operational again and the PIN code system is deactivated.

Pin o o o o	The cue Pin is displayed shortly The display changes to four squares
◀◀	Press for 3 seconds to open for Master code input
9 _ _ _	The squares changes to underscores and the first digit is shown in the display
_ _ _ _	Then the display changes to two rows of lines
◀◀ ▶▶	Press ◀◀ or ▶▶ repeatedly to reveal digits
3 _ _ _	The first digit is shown in the display
STORE	Press STORE to accept the displayed digit and proceed to the next
o _ _ _	The digit is replaced by a square and the next underscore will blink
STORE	Press STORE to accept the fourth digit when it is displayed
_ _ _ _	The display changes and a fifth digit can be entered
STORE	Enter the fifth digit and press STORE
dEL	DEL appears in the display indicating that the PIN code system is deactivated

For your information...

Your needs as a user are given careful consideration during the design and development process of a Bang & Olufsen product and we strive to make our products easy and comfortable to operate.

Therefore, we hope that you will take the time to tell us about your experiences with your Bang & Olufsen product. Anything which you consider important – positive or negative – may help us in our efforts to refine our products.

Thank you!

To contact us, visit our web-site on:
www.bang-olufsen.com

or write to: Bang & Olufsen a/s
BeoCare
Peter Bangs Vej 15
DK-7600 Struer

or fax: Bang & Olufsen
BeoCare
+45 9785 3911 (fax)

NOTE: This equipment has been tested and found to comply with the limits for a class B digital device, pursuant to part 15 of the FCC Rules. These limits are designed to provide reasonable protection against harmful interference in a residential installation.

This equipment generates, uses and can radiate radio frequency energy and, if not installed and used in accordance with the instructions, may cause harmful interference to radio communications. However, there is no guarantee that interference will not occur in a particular installation. If this equipment does cause harmful interference to radio or television reception, which can be determined by turning the equipment off and on, the user is encouraged to try to correct the interference by one or more of the following measures:

- Reorient or relocate the receiving antenna
- Increase the separation between the equipment and receiver
- Connect the equipment into an outlet on a circuit different from that to which the receiver is connected
- Consult the retailer or an experienced radio/TV technician for help

This class B digital apparatus meets all requirements of the Canadian Interference-Causing Equipment Regulations.



This product fulfils the conditions stated in the EEU directives 89/336 and 73/23.



The black and yellow label on the compact disc player serves as a warning that the apparatus contains a laser system and is classified as a class 1 laser product. In case any difficulties arise with the compact disc player, please contact a Bang & Olufsen retailer. The apparatus must be opened by qualified service personnel only.



CAUTION: The use of any controls, adjustments or procedures other than those specified herein may result in hazardous radiation exposure.

